

IMPLEMENTACION PROYECTO CORE PRINCIPAL

EDENORTE DOMINICANA S.A

INDICE

OBJETIVO	3
SERVICIOS REQUERIDOS	¡ERROR! MARCADOR NO DEFINIDO.
DESCRIPCION EQUIPOS	6
ESPECIFICACIONES EQUIPOS.....	13
REQUISITOS OBLIGATORIOS.....	19
CONCLUSIÓN.....	20

OBJETIVO

La tecnología año tras año va cambiando y se amerita estar alineados con las áreas de infraestructura para el desarrollo y crecimiento de la institución, es por esto que en la actualidad debemos cambiar y rediseñar el Core Principal del Datacenter; basándonos en la tendencia hacia virtualización, la importancia de la seguridad y el hecho de tener una contingencia y redundancia confiable.

Los objetivos de este servicio son:

- Suministrar, instalar y configurar los equipos detallados en este documento, para la implementación de una nueva infraestructura tanto en la red Core LAN, como en la red WAN y perimetral.
- Presentar los servicios profesionales para la instalación y configuración de los equipos referidos en este documento.
- Servicios de entrenamientos para la correcta administración de toda la solución.

ALCANCE

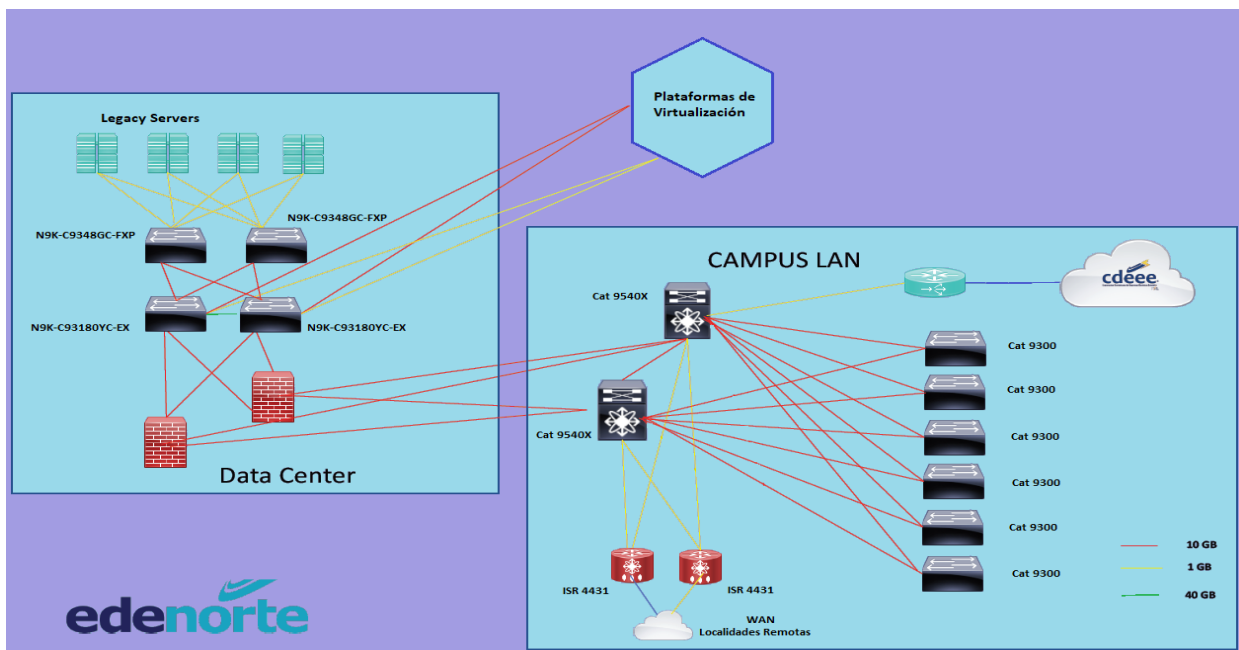
El alcance de este proyecto contempla toda la empresa, ya que de este depende la infraestructura y funcionamiento de todos los sistemas implementados en Edenorte.

Para esto se requiere una solución o proyecto que incluya los siguientes servicios:

- Implementación y puesta en funcionamiento de la estructura Core principal y configurada en alta disponibilidad (2 Nexus 93180YC-EX, 2 Nexus C9348GC-FXP).
- Implementación y puesta en funcionamiento de la red WAN y configurada en alta disponibilidad (2 Routers 4431).
- Interconectar y configurar los almacenamientos o storage existentes con los dos Nexus 93180YC vía Fiber Channel con alta disponibilidad.
- Interconexión entre la granja de Servidores existentes y los Nexus en alta disponibilidad.

- Redefinición de Direccionamiento IP, para el manejo del nuevo esquema de conectividad.
- Configuración de la capa de agregación de usuarios (LAN) en redundancia lógica: equipos switch 2960 y 9300 con switch 9500 nuevo y 3750 existentes.
- Implementación de equipos de nivel CORE para WAN/LAN, agregación de Usuarios.
- Redefinición del perímetro externo.
- Implementación de redundancia y eliminación de puntos únicos de falla, manejo de clúster y capacidad de alta disponibilidad.
- Preparación para las nuevas tendencias e integración con las plataformas y aplicaciones actuales.
- Elaborar, presentar y entregar toda la documentación del proyecto: diseño, configuraciones, diagramas de conexiones entre equipos, plan de trabajo en detalle (estimado y real), otros.

A continuación, se presenta un diagrama lógico general de la solución a implementar.



Descripción de los equipos a utilizarse:

Equipos CORE y Agregación: NEXUS 93180YC-EX

Dos (2) equipos con las siguientes Características:

- Capacidad de Switching 3.6 Tbps
- Capacidad de Manejo capa 2 y capa 3.
- Capacidad de manejo 1/10/25Gbps (SFP+) and 40/100 Gbps (QSFP+)
- Manejo de Fibra Canal en el mismo puerto. □ Layer 2 switch ports and VLAN trunks
- Layer 2 switch ports and VLAN trunks
- IEEE 802.1Q VLAN encapsulation
- Support for up to 4000 VLANs
- Support for up to 4000 access control list (ACL) entries
- Virtual extensible LAN (VXLAN) routing provides network services
- High-performance, non-blocking architecture
- Rapid Per-VLAN Spanning Tree Plus (PVRST+) (IEEE 802.1w compatible)
- Multiple Spanning Tree Protocol (MSTP) (IEEE 802.1s): 64 instances
- Spanning Tree PortFast
- Spanning Tree root guard
- Spanning Tree Bridge Assurance
- Cisco EtherChannel technology (up to 16 ports per EtherChannel)
- Cisco vPC technology
- vPC configuration synchronization
- vPC shutdown
- Link Aggregation Control Protocol (LACP): IEEE 802.3ad
- Advanced PortChannel hashing based on Layer 2, 3, and 4 information
- Jumbo frames on all ports (up to 9216 bytes)
- Pause frames (IEEE 802.3x)
- Storm control (unicast, multicast, and broadcast)
- Private VLANs
- Private VLAN over trunks (isolated and promiscuous)
- Private VLANs over vPC and EtherChannels

- VLAN remapping
- Cisco FabricPath
- EvPC and vPC+ with Cisco FabricPath
- Ingress ACLs (standard and extended) on Ethernet and virtual Ethernet ports
- Standard and extended Layer 2 ACLs: MAC addresses, protocol type, etc.
- Standard and extended Layer 3 and 4 ACLs: IPv4 and IPv6, Internet Control Message Protocol (ICMP and ICMPv6), TCP, User Datagram Protocol (UDP), etc.
- Ingress policing
- VLAN-based ACLs (VACLs)
- Port-based ACLs (PACLs)
- Named ACLs
- Optimized ACL distribution
- ACLs on virtual terminals (VTYs)
- ACL logging (IPv4 only)
- Dynamic Host Configuration Protocol (DHCP) snooping with Option 82
- Dynamic Address Resolution Protocol (ARP) Inspection
- IP source guard
- DHCP relay (up to 32 destinations)
- Ethernet Port Security
- IPv6 RAACL, PAACL, and VACL
- iSCSI TLV
- ISSU for Layer 2
- Hot-swappable field-replaceable power supplies and fan modules
- N+1 and N+N power redundancy
- N+1 fan module redundancy
- T11 standards-compliant FCoE (FC-BB-5)
- T11 FCoE Initialization Protocol (FIP) (FC-BB-5)
- Any 10 or 40 Gigabit Ethernet port configurable as FCoE
- SAN administration separate from LAN administration
- Fibre Channel forwarding (FCF)
- Fibre Channel enhanced port types: VE, VF and VNP

- Direct attachment of FCoE targets
- Fabric Device Management Interface (FDMI)
- Fibre Channel ID (FCID) persistence
- Distributed device alias services
- In-order delivery
- Port tracking
- Cisco FCoE NPV technology
- N-port identifier virtualization (NPIV)
- Fabric services: Name server, registered state change notification (RSCN), login services, and nameserver zoning
- Per-VSAN fabric services
- Cisco Fabric Services
- Distributed device alias services
- Host-to-switch and switch-to-switch FC-SP authentication
- Fabric Shortest Path First (FSPF)
- Standard zoning
- Enhanced zoning
- Cisco Fabric Analyzer
- Cisco Data Center Network Manager-SAN
- Storage Management Initiative Specification (SMI-S)
- Boot from SAN over vPC and Enhanced vPC (EvPC)
- FCP
- VSAN trunking
- Fabric Device Management Interface (FDMI)
- Fibre Channel ID (FCID) persistence
- Distributed device alias services
- In-order delivery
- Port tracking
- Cisco NPV technology
- Fabric binding for Fibre Channel
- Port security

- Fibre Channel traceroute
- Fibre Channel ping
- Fibre Channel debugging.
- Toda la óptica y cableado necesario para la interconexión redundante y de alto performance.

Equipos de Agregación al Data Center Nexus C9348GC

Dos (2) equipos con las siguientes Características:

- 48 1GBASE-T downlink ports can be configured to work as 100-Mbps, 1-Gbps ports.
- 4 x 1/10/25-Gbps SFP
- 2 x 40/100-Gbps QSFP
- Supports 696 Gbps of bandwidth and over 250 mpps
- Automated, policy-based systems management with Cisco ACI
- Administración centralizada desde equipo CORE sin necesidad de adicionar IP.
- Real-time buffer utilization per port and per queue, for monitoring traffic micro-bursts and application traffic patterns.
- Secure applications through whitelist model, policy enforcement, and micro-segmentation.
- High-performance, Layer 2 and 3 non-blocking architecture
- Easily deployed into either a hot-aisle or cold-aisle configuration
- Redundant, hot-swappable power supplies and fan trays
- Cisco Nexus Data Broker support for network traffic monitoring and analysis.
- Poder Redundante
- Switching Capacity 176 GBps
- Incluir TODA la óptica y cableado necesario.

Equipo Agregación Usuarios: Catalyst C9500-40X-A

Dos (2) equipos con las siguientes Características:

- Switching capacity Up to 480 Gbps full dúplex
- Forwarding rate Up to 720 Mpps
- Sistema operativo sin restricciones de features

- Capacidad de conmutación de hasta 6.4 Tbps con hasta 2 Bpps de rendimiento de reenvío
- Hasta 212,000 entradas de enrutamiento (IPv4 / IPv6) para implementaciones centrales y de agregación de campus de alta gama
- Compatibilidad con IPv6 en hardware, que proporciona reenvío a velocidad de cable para redes IPv6.
- IEEE 802.1ba AV Bridging (AVB) incorporado para proporcionar una mejor experiencia de AV a través de una mejor sincronización de tiempo y QoS.
- El protocolo de tiempo de precisión (PTP; IEEE 1588v2) proporciona sincronización de reloj precisa con precisión de submicrosegundos, por lo que es adecuado para la distribución y sincronización de tiempo y frecuencia en la red.
- Soporte de doble pila para IPv4 / IPv6 y asignaciones dinámicas de tablas de reenvío de hardware, para facilitar la migración de IPv4 a IPv6.
- Soporte para NAT estático y dinámico y traducción de dirección de puerto (PAT).
- Tablas escalables de enrutamiento (IPv4, IPv6 y multidifusión) y tablas de Capa 2
- Capacidad de Poder redundante
- Capacidad de abanicos o fan redundantes

Equipos Seguridad WAN: Cisco ONE ISR 4431

Dos (2) equipos con las siguientes Características:

- Cisco 4431 Security Bundle w/SEC license PAK
- Concurrent software services at speeds up to 2 Gbps. Backplane architecture supports highbandwidth module-to-module communication at speeds up to 10 Gbps.
- A distributed multicore architecture with the industry's first internal services plane.
- Remote installation of application-aware services, which run identically to their counterparts in dedicated appliances.
- Embedded IWAN solution for creating lower-cost, business-class Internet connections.
- Router capacity can be increased with a remote performance-on-demand license upgrade (no hardware upgrade) for exceptional savings.
- ISR-AX "Application Experience" software bundle with advanced routing and network monitoring services.

- Dynamic Multipoint VPN (DMVPN), zone-based firewalls, intrusion prevention (Snort and Umbrella Branch) and content management using Cisco Cloud Web Security and OpenDNS protecting data, providing authentication credentials, and enabling transmissions that are not backhauled through the data center.
- 4400 Series models (4451 and 4431 ISRs) support dual integrated power supplies for backup. The entire 4000Series supports optional power supply capable of delivering additional PoE power to endpoints. Defined models provide for a DC power supply.
- Support for multiple, diverse access links: T1/E1, T3/E3, Serial, xDSL, Gigabit and Ten-Gigabit Ethernet.
- High-performance analog/digital gateway, allowing VoIP over less expensive Session Initiation Protocol (SIP) trunks.
- High-performance multicore processors support high-speed WAN connections. The data plane uses an emulated Flow Processor (FP) that delivers application-specific integrated circuit (ASIC)-like performance that does not degrade as services are added.
- The Cisco 4000 Series provides up to four built-in 10/100/1000 Ethernet ports for WAN or LAN.
- For the 4400 Series, power redundancy is available by installing an optional integrated RPS for decreasing network downtime and protecting the network from power failures.
- Network monitoring and accounting tools.

Equipo Agregación Usuarios: Catalyst C9500-16X-A

Cuatro equipos con las siguientes características:

- 16 x 10Gbit LAN RJ-45 | 2 x 10GBase-X SFP+
- The uplink ports support 8x10G SFP/SFP+ modules and 2x40G QSFP+ modules.
 - Console port (RJ-45 Serial)
 - Performance: Switching capacity (full duplex): up to 480 Gbps | Forwarding rate: up to 360 MppsSwitch - 16 ports - L3 - managed – stackable

- Routing Protocol: OSPF, RIP-1, RIP-2, IGMP, VRRP, PIM-SM, PIM-SSM, policy-based routing (PBR), RIPng
- Remote Management Protocol: SNMP 1, RMON 1, RMON 2, SNMP, SNMP 3, TFTP, NETCONF, RESTCONF

Equipo Agregación Usuarios Cisco Catalyst 3560-CX 12 Port PoE

Cuatro equipos con las siguientes características:

- 12 Gigabit Ethernet ports with line rate forwarding performance
- Gigabit and Multigigabit (100 Mbps/1/2.5/5/10 Gbps) copper, small form-factor pluggable (SFP) or 10G SFP+ uplinks
- Power over Ethernet Plus (PoE+) support with up to 240W of PoE Budget
- Power over Ethernet (PoE) pass-through enables the compact switch to draw Cisco Universal PoE (Cisco UPOE™) power from the wiring closet and pass it to end devices (selected model) with the additional option to be powered by auxiliary AC-DC or DC-DC power adapter.

Equipo Agregación Usuarios Catalyst 9300 24-port PoE+

- 24 puertos POE 10/100/1000 Mbps y 4 x 1 GB SFP
- Switching capacity: 208 Gbps on 24
- Leading PoE capabilities with up to 384 ports of PoE per stack, 60W Cisco UPOE, and PoE+

Equipo Agregación Usuarios Catalyst 9300 48-port PoE+

Seis equipos con las siguientes características:

- 48 puertos POE 10/100/1000 Mbps y 4 x 1 GB SFP
- Leading PoE capabilities with up to 384 ports of PoE per stack, 60W Cisco UPOE, and PoE+

Modelo Fortiswitch 1024D (2)

- 24x7 FortiCare and FortiGuard Unified (UTM) Protection
- Layer 2/3 FortiGate switch controller compatible switch with 48 x SFP / SFP+ slots, GE/10 GE capable and 4 x 40
- QSFP+, dual AC power supplies
- 10-Gig transceiver, short range SFP+ module for all FortiGate models with SFP+ interfaces with LC connector (Tres)
- Tres Patchcord fibra multimodo SR (Tres)

Especificaciones de Equipos y Partes:

Equipos CORE y Agregación: NEXUS 93180YC-EX	No. de Parte	Cantidad
Cisco ONE 2 Nexus 93180YC-EX with 8 QSFP-40G-SR-BD	C1-N9K-C93180-B18Q	1
SNTC-24X7X4 Cisco ONE 2 Nexus 93180YC-EX with 8 QSFP	CON-SNTP-C1N9KB8Q	1
Cisco ONE Nexus 93180YC-EX bundle PID	C1-N9K-C93180-BUN	1
SNTC-24X7X4 Cisco ONE Nexus 93180YC-EX bundle PID	CON-SNTP-C1N9K9UN	1
QSFP40G BiDi Short-reach Transceiver	QSFP-40G-SR-BD	4
Nexus 3K/9K Fixed Accessory Kit	N3K-C3064-ACC-KIT	1
Nexus 9500 or 9300 ACI Base Software NX-OS Rel 12.2	ACI-N9KDK9-12.2	1
Cabinet Jumper Power Cord, 250 VAC 10A, C14-C13 Connectors	CAB-C13-CBN	2
Nexus NEBs AC 650W PSU - Port Side Exhaust	NXA-PAC-650W-PE	2
Nexus 2K/3K/9K Single Fan, port side exhaust airflow	NXA-FAN-30CFM-F	4
Cisco ONE Foundation Perpetual Nexus 9300 48 Port (ACI Mode)	C1F2PNEX9300AK9	1
Cisco ONE LAN Enterprise License for Nexus 9300 Platform	C1-N93-LAN1K9	1
Cisco ONE Nexus 9300 Network Services (includes ITD)	C1-N93-SERVICES1K9	1
Cisco ONE ACI SW license for a 48p 1/10G Nexus 9K	C1-ACI-N9K-48X	1
Cisco ONE Tap/SPAN Agg lic for 1 Cisco Nexus Switch	C1-NDB-SWT-K9	1
Cisco ONE DCNM for LAN Advanced Edt. for Nexus 9300 switches	C1-DCL-N93-K9	1
Cisco ONE Nexus 93180YC-EX bundle PID	C1-N9K-C93180-BUN	1
SNTC-24X7X4 Cisco ONE Nexus 93180YC-EX bundle PID	CON-SNTP-C1N9K9UN	1
QSFP40G BiDi Short-reach Transceiver	QSFP-40G-SR-BD	4
Nexus 3K/9K Fixed Accessory Kit	N3K-C3064-ACC-KIT	1
Nexus 9500 or 9300 ACI Base Software NX-OS Rel 12.2	ACI-N9KDK9-12.2	1
Cabinet Jumper Power Cord, 250 VAC 10A, C14-C13 Connectors	CAB-C13-CBN	2
Nexus NEBs AC 650W PSU - Port Side Exhaust	NXA-PAC-650W-PE	2
Nexus 2K/3K/9K Single Fan, port side exhaust airflow	NXA-FAN-30CFM-F	4
Cisco ONE Foundation Perpetual Nexus 9300 48 Port (ACI Mode)	C1F2PNEX9300AK9	1
Cisco ONE LAN Enterprise License for Nexus 9300 Platform	C1-N93-LAN1K9	1
Cisco ONE Nexus 9300 Network Services (includes ITD)	C1-N93-SERVICES1K9	1
Cisco ONE ACI SW license for a 48p 1/10G Nexus 9K	C1-ACI-N9K-48X	1
Cisco ONE Tap/SPAN Agg lic for 1 Cisco Nexus Switch	C1-NDB-SWT-K9	1
Cisco ONE DCNM for LAN Advanced Edt. for Nexus 9300 switches	C1-DCL-N93-K9	1
N9300 XF Advantage Term - 3Y	N93XF-ACIC1A-3Y	2
EMBEDDED SOLN SUPPORT SWSS FOR ACI NEXUS 9K	SVS-B-ACIC1-XF	2
Tap/SPAN Agg Support only (No Lic)	C1-NDB-SWT-D	2
N9300 N9500 LAN Enterprise Support Only (No Lic)	C1-N93N95-LAN1K9-D	2
N9K Network Services (includes ITD) Support Only (No Lic)	C1-N9K-SERVICES-D	2
N9K ACI SW Support Only (No Lic)	C1-ACI-N9K-D	2

N9300 N9500 DCLM Support Only SKU (No Lic)

C1-DCL-N93N95-K9-D

2

Equipos CORE y Agregación: Nexus C9348GC

	No. de Parte	Cantidad
Nexus 9300 with 48p 100M/1GT, 4p 10/25G & 2p 40/100G QSFP28	N9K-C9348GC-FXP	2
SNTC-8X5XNBD Nexus 9300 with 48p 100M/1G, 4p 10/25G S	CON-SNT-N9348F	2
Nexus 9500, 9300, 3000 Base NX-OS Software Rel 9.2.1	NXOS-9.2.1	2
Nexus 3K/9K Fixed Accessory Kit	N3K-C3064-ACC-KIT	2
Nexus 2K/3K/9K Single Fan, port side intake airflow	NXA-FAN-30CFM-B	6
Nexus NEBs AC 350W PSU - Port Side Intake	NXA-PAC-350W-PI	4
Power Cord, 125VAC 13A NEMA 5-15 Plug, North America	CAB-9K12A-NA	4
NX-OS Advantage license for a 1G Nexus 9K	NXOS-AD-GF	2
SWSS UPGRADES NX-OS Advantage lice	CON-ECMU-N9SWADGF	2
10GBASE-SR SFP Module	SFP-10G-SR	8

Equipo Agregación Usuarios: Catalyst C9500-40X-A

	No. de Parte	Cantidad
Catalyst 9500 40-port 10Gig switch, Network Advantage	C9500-40X-A	2
SNTC-24X7X4 Catalyst 9500 40-port 10Gig switch, Netw	CON-SNTP-C95004XA	2
DNA Premier High Term, C9500	C1A1TCAT95001	2
DNA Premier High Term C9500 3Y - DNA, 25 ISE PLS, 25 SWATCH	C1A1TCAT95001-3Y	2
Cisco ONE C9500 DNA Advantage 40P 10Gig Term licenses	C1-C9500-40-DNAA-T	2
Cisco ONE Subscription SKU 3Y	C1-C9500-TRK-3Y	2
Cisco ONE StealthWatch License Term - 1 Flow License	C1-SWATCH-T	50
Cisco ONE Subscription SWATCH SKU 3Y	C1-SWATCH-TRK-3Y	50
Cisco ONE ISE BASE License Term	C1-ISE-BASE-T	50
Cisco ONE Subscription ISE BASE 3Y	C1-ISE-BASE-TRK-3Y	50
Cisco ONE ISE PLUS License Term	C1-ISE-PLS-T	50
Cisco ONE Subscription SKU ISE Plus 3Y	C1-ISE-PLS-TRK-3Y	50
CAT9500 Universal image	S9500UK9-166	2
C9500 Network Stack, Advantage	C9500-NW-A	2
950W AC Config 4 Power Supply front to back cooling	PWR-C4-950WAC-R	2
950W AC Config 4 Power Supply front to back cooling	PWR-C4-950WAC-R/2	2
North America AC Type A Power Cable	CAB-TA-NA	4
Console Cable 6ft with USB Type A and mini-B	CAB-CONSOLE-USB	2
Cisco Catalyst 9500 2 x 40GE Network Module	C9500-NM-2Q	2

Equipos Seguridad WAN: Cisco ONE ISR 4431	No. de Parte	Cantidad
Cisco ONE ISR 4431 (4GE,3NIM,8G FLASH,4G DRAM,IPB)	C1-CISCO4431/K9	2
SNTC-8X5XNBD C1 ISR 4431 (4GE,3NIM,8G FLASH)	CON-SNT-C14431K9	2
IP Base License for Cisco ISR 4400 Series	SL-44-IPB-K9	2
AC Power Supply for Cisco ISR 4430	PWR-4430-AC	2
AC Power Cord (North America), C13, NEMA 5-15P, 2.1m	CAB-AC	2
8G eUSB Flash Memory for Cisco ISR 4430	MEM-FLSH-8G	2
Cover for empty 2nd Power Supply slot on Cisco ISR 4430	PWR-COVER-4430	2
2G DRAM (1 DIMM) for Cisco ISR 4400 Data Plane	MEM-4400-DP-2G	2
Blank faceplate for NIM slot on Cisco ISR 4400	NIM-BLANK	6
8G DRAM (4G+4G) for Cisco ISR 4400, Spare	MEM-4400-8G	2
Cisco ONE Foundation Perpetual License ISR 4400	C1F1PISR4400SK9	2
Security License for Cisco ISR 4400 Series	SL-44-SEC-K9	2
AppX License for Cisco ISR 4400 Series	SL-44-APP-K9	2
Cisco ONE PI Device License for LF, AS, & IWAN App for ISR	C1-PI-LFAS-ISR-K9	2
Cisco ONE Promo license to manage one WAAS node	C1-LIC-VCM-1N	2
Cisco ONE ISRWAAS RTU for 1300 connections	C1-ISRWAAS-RTU1300	2
Cisco ISR 4400 Series IOS XE Universal	SISR4400UK9-166	2
DNAC1 Essentials On-Prem 500mbps Subscription 3Y	DNAC1E-OP-500M-3Y	2
Cisco DNA Essentials for DNA Center	SDWAN-DNA-E	2
Embedded Support - Cisco DNA Essentials On Premise Lic	SVS-DNA-P-ESS	2
ISRWAAS 1300 conns For ISR Support Only (No Lic)	C1-ISRWAAS-1300-D	2
ISR 4400 Security Lic Support only (No Lic)	SL-44-SEC-D	2
ISR 4400 AppX Lic Support only (No Lic)	SL-44-APP-D	2
PI Lifecycle & Assurance for ISR Support only (No Lic)	C1-PI-LFAS-ISR-D	2
Unified Border Elem Ent Lic, 1 Session Support Only (No Lic)	C1-CUBEE-1-D	2
UC Lic for ISR 4400 Support (No Lic)	SL-44-UC-D	2

Equipo Agregación Usuarios: Catalyst C9500-16X-A	No. de Parte	Cantidad
Catalyst 9500 16-port 10Gig switch, Advantage	C9500-16X-A	4
SNTC-8X5XNBD Catalyst 9500 16-por	CON-SNT-C95K16XA	4
C9500 Network Stack, Advantage	C9500-NW-A	4
Cisco Catalyst 9500 8 x 10GE Network Module UNIVERSAL	C9500-NM-8X	4
9500 AC Config 4 Power Supply front to back cooling	S9500UK9-168	4
950W AC Config 4 Power Supply front to back cooling	PWR-C4-950WAC-R	4
950W AC Config 4 Power Supply front to back cooling	PWR-C4-950WAC-R/2	4
North America AC Type A Power Cable	CAB-TA-NA	8
DNA Premier 12Q/16X C9500 Low Term	C1A1TCAT95002	4
DNA Premier Low Term C9500 3Y - DNA, 25 ISE PLS, 25 SWATCH	C1A1TCAT95002-3Y	4

Cisco ONE C9500 DNA Advantage 12Q/16X Term licenses	C1-C9500-12-DNAA-T	4
Cisco ONE Subscription SKU 3Y	C1-C9500-TRK-3Y	4
Cisco ONE StealthWatch License Term - 1 Flow License	C1-SWATCH-T	100
Cisco ONE Subscription SWATCH SKU 3Y	C1-SWATCH-TRK-3Y	100
Cisco ONE ISE BASE License Term	C1-ISE-BASE-T	100
Cisco ONE Subscription ISE BASE 3Y	C1-ISE-BASE-TRK-3Y	100
Cisco ONE ISE PLUS License Term	C1-ISE-PLS-T	100
Cisco ONE Subscription SKU ISE Plus 3Y	C1-ISE-PLS-TRK-3Y	100

Equipo Agregación Usuarios Catalyst 3560-CX 12PoE	No. de Parte	Cantidad
Cisco Catalyst 3560-CX 12 Port PoE, 10G Uplinks IP Base	WS-C3560CX-12PD-S	4
SNTC-8X5XNBD Cisco Catalyst 3560-CX 12 Port PoE, 10G	CON-SNT-WSC312PD	4
North America AC Type A Power Cable	CAB-TA-NA	4
Power Retainer Clip For 3560-C, 2960-C and 2960-L Switches	PWR-CLP	4
DIN Rail Mount For 3560-CX and 2960-CX Compact Switch	CMPCT-DIN-MNT	4

Equipo Agregación Usuarios Catalyst 9300 24-port PoE+	No. de Parte	Cantidad
Catalyst 9300 24-port PoE+, Network Advantage	C9300-24P-A	1
SNTC-8X5XNBD Catalyst 9300 24-port PoE+, Network Adva	CON-SNT-C93002PA	1
C9300 Network Advantage, 24-port license	C9300-NW-A-24	1
715W AC Config 1 Secondary Power Supply	PWR-C1-715WAC/2	1
North America AC Type A Power Cable	CAB-TA-NA	2
50CM Type 1 Stacking Cable	STACK-T1-50CM	1
Catalyst Stack Power Cable 30 CM	CAB-SPWR-30CM	1
DNA Premier Term, C9300 24-Port	C1A1TCAT93001	1
DNA Premier Term C9300 24P 3Y - DNA, 25 ISE PLS, 25 SWATCH	C1A1TCAT93001-3Y	1
Cisco ONE C9300 DNA Advantage 24-Port Term licenses	C1-C9300-24-DNAA-T	1
Cisco ONE Subscription SKU 3Y	C1-C9300-TRK-3Y	1
Cisco ONE ISE BASE License Term	C1-ISE-BASE-T	25
Cisco ONE Subscription ISE BASE 3Y	C1-ISE-BASE-TRK-3Y	25
Cisco ONE ISE PLUS License Term	C1-ISE-PLS-T	25
Cisco ONE Subscription SKU ISE Plus 3Y	C1-ISE-PLS-TRK-3Y	25
Cisco ONE StealthWatch License Term - 1 Flow License	C1-SWATCH-T	25
Cisco ONE Subscription SWATCH SKU 3Y	C1-SWATCH-TRK-3Y	25
715W AC Config 1 Power Supply	PWR-C1-715WAC	1
Catalyst 9300 8 x 10GE Network Module	C9300-NM-8X	1
CAT9300 Universal image	S9300UK9-166	1
Cisco pluggable USB3.0 SSD storage	SSD-120G	1

Equipo Agregación Usuarios Catalyst 9300 48-port PoE+	No. de Parte	Cantidad
Catalyst 9300 48-port PoE+, Network Advantage	C9300-48P-A	6
SNTC-8X5XNBD Catalyst 9300 48-port PoE+, Network Adva	CON-SNT-C93004PA	6
C9300 Network Advantage, 48-port license	C9300-NW-A-48	6
715W AC Config 1 Secondary Power Supply	PWR-C1-715WAC/2	6
North America AC Type A Power Cable	CAB-TA-NA	12
Console Cable 6ft with USB Type A and mini-B	CAB-CONSOLE-USB	6
50CM Type 1 Stacking Cable	STACK-T1-50CM	6
Catalyst Stack Power Cable 30 CM	CAB-SPWR-30CM	6
DNA Premier Term, C9300 48-port	C1A1TCAT93002	6
DNA Premier Term C9300 48P 3Y - DNA, 25 ISE PLS, 25 SWATCH	C1A1TCAT93002-3Y	6
Cisco ONE C9300 DNA Advantage 48-Port Term licenses	C1-C9300-48-DNAA-T	6
Cisco ONE Subscription SKU 3Y	C1-C9300-TRK-3Y	6
Cisco ONE ISE BASE License Term	C1-ISE-BASE-T	150
Cisco ONE Subscription ISE BASE 3Y	C1-ISE-BASE-TRK-3Y	150
Cisco ONE ISE PLUS License Term	C1-ISE-PLS-T	150
Cisco ONE Subscription SKU ISE Plus 3Y	C1-ISE-PLS-TRK-3Y	150
Cisco ONE StealthWatch License Term - 1 Flow License	C1-SWATCH-T	150
Cisco ONE Subscription SWATCH SKU 3Y	C1-SWATCH-TRK-3Y	150
DNA Premier Add-On Term, C9300	C1AA1TCAT93001	6
DNA Premier Add-On Term C9300 3Y - 25 ISE PLS, 25 SWATCH	C1AA1TCAT93001-3Y	6
Cisco ONE ISE BASE License Term	C1-ISE-BASE-T	150
Cisco ONE Subscription ISE BASE 3Y	C1-ISE-BASE-TRK-3Y	150
Cisco ONE ISE PLUS License Term	C1-ISE-PLS-T	150
Cisco ONE Subscription SKU ISE Plus 3Y	C1-ISE-PLS-TRK-3Y	150
Cisco ONE StealthWatch License Term - 1 Flow License	C1-SWATCH-T	150
Cisco ONE Subscription SWATCH SKU 3Y	C1-SWATCH-TRK-3Y	150
715W AC Config 1 Power Supply	PWR-C1-715WAC	6
Catalyst 9300 8 x 10GE Network Module	C9300-NM-8X	6
CAT9300 Universal image	S9300UK9-166	6
Cisco pluggable USB3.0 SSD storage	SSD-120G	6

Óptica (SFPs)	No. de Parte	Cantidad
10GBASE-LR SFP Module	SFP-10G-LR=	8
10GBASE-SR SFP Module	SFP-10G-SR=	30
40GBASE-CR4 Passive Copper Cable, 0.5m	QSFP-H40G-CU0-5M=	8

PatchCords	No. de Parte	Cantidad
Patch Cord LC - LC 2m	LC-LC	10
10GBASE-CU SFP+ Cable 1 Meter	SFP-H10GB-CU1M=	8
40GBASE Active Optical Cable, 3m	QSFP-H40G-AOC3M=	2

Mantenimiento (SmartNet Support por 3 Años)	No. de Parte	Cantidad
SNTC-24X7X4 Cisco ONE Nexus 93180YC-EX bundle PID	CON-SNTP-C1N9K9UN	1
SNTC-8X5XNBD Nexus 9300 with 48p 100M/1G, 4p 10/25G S	CON-SNT-N9348F	2
SNTC-24X7X4 Catalyst 9500 40-port 10Gig switch, Netw	CON-SNTP-C95004XA	2
SNTC-8X5XNBD C1 ISR 4431 (4GE,3NIM,8G FLASH)	CON-SNT-C14431K9	2
SNTC-8X5XNBD Catalyst 9500 16-por	CON-SNT-C95K16XA	4
SNTC-8X5XNBD Cisco Catalyst 3560-CX 12 Port PoE, 10G	CON-SNT-WSC312PD	4
SNTC-8X5XNBD Catalyst 9300 24-port PoE+, Network Adva	CON-SNT-C93002PA	1
SNTC-8X5XNBD Catalyst 9300 48-port PoE+, Network Adva	CON-SNT-C93004PA	6

Los Smartnet deben estar a nombre de Edenorte.

Mantenimiento (Garantía - Support por 3 Años)	No. de Parte	Cantidad
---	--------------	----------

Fortinet FortiSwitch 1024D	FS-1024D	2
----------------------------	----------	---

La garantía debe estar a nombre de Edenorte.

Datos garantizados

Adicional a la firma y sellado de las Fichas Técnicas, el Oferente deberá entregar estos datos garantizados junto a las documentaciones solicitadas firmadas y selladas, la cual será evaluada con su entrega y cumplimiento (SI-NO).

Todas estas documentaciones son obligatorias; en caso de que exista un NO en el cumplimiento, el Oferente será descalificado.

Documentaciones/Cartas Requeridas	Cumple (SI-NO)
Carta del fabricante Cisco donde certifique que el Oferente es partner Premier y que está autorizado a ofrecer los bienes y servicios de su oferta, y a comercializar de manera válida los servicios de soporte e implementación.	

<p>Carta del fabricante Fortinet autorizando a vender los equipos solicitados de esta marca.</p>	
<p>Entregar al mínimo dos (2) referencias de empresas nacionales donde el Oferente haya instalado y configurado un proyecto parecido a éste (proyectos de integración, implementación y puesta en marcha de soluciones de tecnología en capa de red y Datacenter), con tecnología Nexus.</p> <p>Las cartas deben ser verificables a través de contactos técnicos y administrativos, los cuales deben ser identificados con sus direcciones de correo electrónico y números de teléfono para fines de validación.</p>	
<p>Carta del fabricante Cisco, que certifique que el Oferente mantiene vigente las siguientes dos (2) acreditaciones: a. Advanced Data Center Architecture Specialization y b. Advanced Enterprise Network Architecture Specialization.</p> <p>Debe tener como máximo treinta (30) días de emitida al momento de presentar la propuesta.</p>	
<p>Personal Certificado en Cisco Certified Internetwork Expert Routing and Switching (CCIE Routing and Switching).</p> <p>Se deben entregar los CV del personal que trabajará en el proyecto con sus correspondientes certificaciones. La empresa debe contar con el personal certificado presencial en República Dominicana.</p> <p>Presentar el procedimiento de validación de las certificaciones en los sistemas web del fabricante Cisco.</p>	
<p>El oferente debe incluir los servicios profesionales de instalación, configuración y puesta en marcha de la solución ofertada. Presentar documentación de</p>	

<p>los servicios a ofrecer y plan de trabajo general del proyecto.</p>	
<p>Presentar CV de la persona que administrará el proyecto, el cual debe tener certificación PMP y experiencia previa en proyectos similares al requerido por Edenorte.</p>	
<p>Incluir capacitación para cuatro (4) personas en la implementación y configuración de todo el proyecto. Dicha capacitación en modalidad presencial por ingeniero certificado. Presentar Plan de Capacitación y CV del Ingeniero certificado que llevará a cabo dicha capacitación con un mínimo de 36 horas laborables.</p>	
<p>Carta-compromiso del Oferente indicando que los ingenieros CCIE postulados para la entrega y ejecución del proyecto participarán presencialmente en las instalaciones de Edenorte en al menos el noventa por ciento (90%) de las horas de trabajo que tome la implementación del proyecto.</p>	

Tiempo de Entrega del Proyecto

- Tiempo de entrega de los equipos: 30 días
- Tiempo máximo de implementación del proyecto: 2 meses